

# Galanz

## Air Vent Type dryer Service Manual

Please read this manual carefully before servicing, Fault estimation, convenient for repairing.

### Model:

DV-60Q1E	DV-60Q2ME
DV-60Q1K	DV-60Q2MK
DV-60Q1S	DV-60Q2MS
DV-60Q3E	DV-60Q3ME
DV-60Q3K	DV-60Q3MK
DV-60Q5E	DV-60Q5K
DV-60Q5S	DV-60Q6ME
DV-60Q6MK	DV-60Q8E
DV-60Q9E	DV-60Q9K

# Contents

1. Safety information -----	2
2. Technical data-----	3
3. Function and Technical-----	5
4. Parts Name-----	5
5. Installation -----	6
6. Control panel -----	7
7. Electric diagram-----	10
8. Fault indication and estimation-----	11
9. Fault estimation and repairing-----	12
10. Explode view-----	13

This service manual is suit for Galanz dryer series, only used for service instruction.

Because of development and being perfect in the future, a part of dryer data would be adjusted, specific data are subject to the dryer instruction.

## 1. Safety Information(Must be following)

In order to safe and avoid injure of people or damage of facility pls follow the following instructions:



Warning Please pay attention to the warning content, if not probably effect badly hurt or died



Warning

### ●Safety

1. It is very dangerous to try to modify the machine .
2. Always unplug the appliance after use, clean and maintenance.
3. Any objects such as coins, safety pins , nails , screws , stones or an other hard , sharp material can cause extensive damage and must not be placed into the machine;
4. When the machine be broken, or have a screw loose, or spread loss of damaged parts or components, do not operate the dryer .
5. Please separate use three-core power outlet upwards 220V, 10A , do not use a power strip. The power plug must be connected to a three-core socket with and earth wire and is grounded properly and reliably.
6. In order to avoid danger of fires caused by excessive drying , do not use the appliance to dry the following items: Cushions, quilts and the like (these items accumulate heat )
7. Do not repairing the machine by yourself in anytime, to avoid effect injury and serious fault.
8. Items such as foam rubber(latex foam), shower caps, waterproof textiles , rubber backed articles and clothes or pillows fitted with foam rubber pads should not be dried in the tumble dryer;
9. Please keep your pet go into the drum, in order to avoid this phenomenon, please check before using .
10. The clothes mix with acetone oil, gasoline, kerosene, detergents, turpentine, wax or paraffin removal etc. should be washed by hot water with detergent ,and then put them into the machine for drying.



Warning

### ●Possible Explosions

1. Because these substances can effect an explosion, the clothes can put into the dryer after washed. Do not put combustible liquid such as gasoline, petrol and alcohol into the appliance or nearby. Don't put clothes with that liquid in to the appliance. Because of possible explosions



● Fire accidents/ short circuit or electric leakage may occur

1. Items that have been spotted or soaked with vegetable or cooking oil constitute a fire hazard and should not be placed in the tumble dryer.
2. If you have washed your laundry with stain remover, you must execute an extra rinse cycle before loading your tumble dryer.
3. Please make sure that no gas lighters or matches have accidentally been left in pockets of garments to be loaded into appliance.
4. Never stop a tumble dry before the end of the drying cycle unless all items are quickly removed and spread out so that the heat is dissipated.



### Warning

● Other instruction

1. This appliance is designed for domestic use, It must not be used for purposes other than those for which it was designed;
2. Only wash fabrics which are designed to be machine dried. Follow the instructions on each garment label.
3. Do not dry unwashed items in the tumble dryer.
4. Clothes which are dripping wet should not be placed in the dryer.
5. Garments which have been in contact with volatile petroleum products should not be machine dried. If volatile cleaning fluids are used, care should be taken to ensure that the fluid is removed from the garment before placing in the machine;
6. Never use the tumble dryer if the power supply cable , the control panel, the working surface or the base are damaged so that the inside of the tumble dryer is accessible.
7. Do not disconnect the power plug by pulling the supply cord, Hold the power plug with your had;



● Personal injury may occur

1. The package materials may be dangerous to children. Put all package materials to places unreachable to children.
2. Do not keep children or pets nearby when the dryer is working.
3. Do not touch laundries in the drying drum till the dryer stops working completely.

## 2. Technical specification

File1

Modle No	DV-60Q1E	DV-60Q2ME
	DV-60Q1K	DV-60Q2MK
	DV-60Q1S	DV-60Q2MS
	DV-60Q3E	DV-60Q3ME
	DV-60Q3K	DV-60Q3MK
	DV-60Q6ME	DV-60Q5E
	DV-60Q6MK	DV-60Q5S
	DV-60Q9E	DV-60Q5K

	DV-60Q9K	DV-60Q8E
Voltage	E serial 220-240V~ 500Hz, K Serial 220V-60Hz, SSerial 110-127V-60HZ	
Product weight(kg)	38	
Power (W)	Max	E,K Serial 2000W, S serial1400W
	heating	E,K Serial 1800, S Serial 1200W
Unit dimension (mm) WxDxH	595*555*850	
Energy efficiency	E Serial C	
Error estimation	5	

### File2

program	program	Max loading	description
cotton	Extra	6kg	Tower cotton working suit
	Heavy	6kg	Tower cotton working suit, swear
	Normal	6kg	Shirt, T shirt
	Damp	6kg	,cotton shirt
	Iron	6kg	Over let
synthetic	Extra	3kg	Over let
	Cupboard	3kg	Synthetic products
	Iron	3kg	shirt
time	30min, 60min, 90min	6kg	tower
special	Anti-Bac	3kg	Inner clothes
	Freshen-up	3kg	shirt
	Silk	1.5kg	silk
	Air-Dry	2kg	Inner clothes

### File 3

Bathrobe	1200g
Napkin	100g
Quilt cover	700g
Sheet	500g
Pillow case	200g
Table cloth	250g
Toweling towel	200g
Tea cloth	100g
Night dress	200g

Ladies' briefs	100g
Men's work shirt	600g
Men's shirt	200g
Men's pyjamas	500g
Blouse	100g
Men's underpants	100g

### 3. Functions and Technical

● **buzzer**

This function is used to indicate end of cycle

● **delay function**

This function need to press before but start/ pause

● **speed up function**

- In "Heavy", "Strong", "Normal" program ,you can start (Quick) button

● **Delicate function**

In (Cotton),(Synthetics) program, can open(Delicate)。

● **LED function**

When select a program indicate time,

Showing delay time

When select not correct program, can show error code

● **start/ pause**

After select program , press this button to start machine。 If the door was open during drying, after close the door press this button, machine continue to work。 Under this situation, “start/pause” indicator shinning to tell you press this button

● **Indicator light function**

Indicator Drying, shows it is drying clothes。

Indicator Cooling, means the machine is cooling。 After drying, there will have 5 – to mins cooling program

Indicator ”End”。 Aftter cooling, this indicator work

Indicator ”Filter”, after use this machine, this indicator will work and tell you to clean the filter

All drying program will have 5-10 mins cooling time

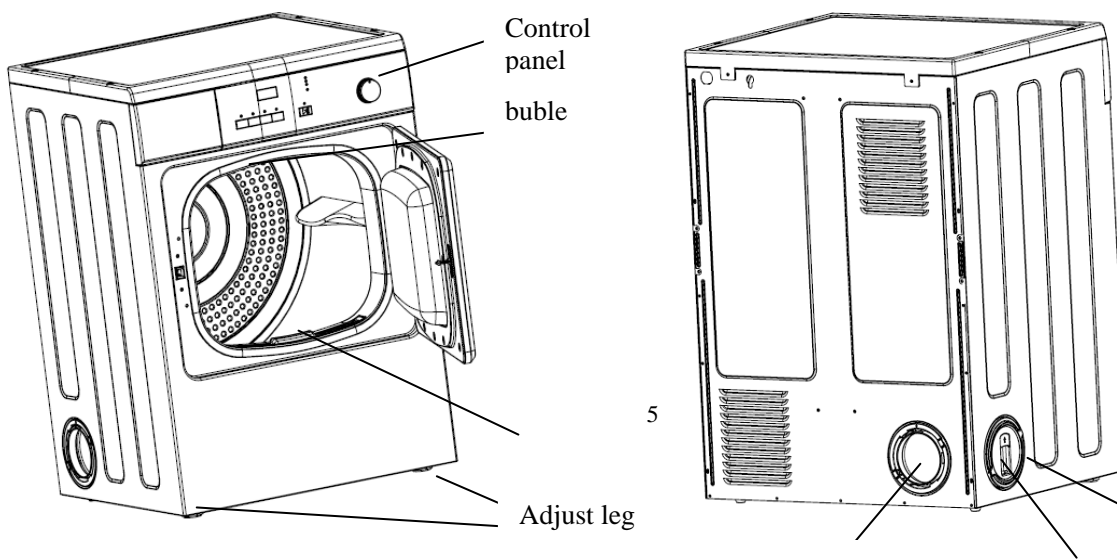
After cooling if you did not take the clothes out the machine will go to anti crease program (time lasting: longest 30 min)



After anti crease, even you did not take the clothes out, the machine will stop automatically 。

Indicator closed, buzzer works 15 seconds。

Turn the program to “O”, all indicator closed

### 4. Part name:

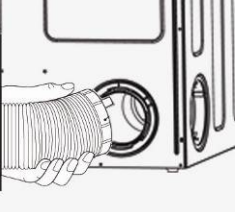
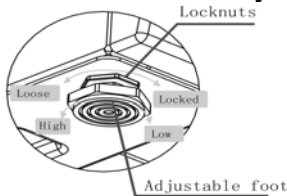


attachment	name	quantity
	hose	1
	usermanual	1

## 5. installation

5.1、unpack all packing, including bottom foam, check the machine situation

5.2、installation should follow the step.

<p><b>Install hose</b></p>	<ul style="list-style-type: none"> <li>● Use the spanner to lose the bolt</li> <li>● Keep the bolt for future use</li> </ul> <p>Put the cover into the hose</p>	 <p>(A), keep it tight with the connector and then vent . cover the not used cover (B)</p>
<p>Install in the good and solid floor and adjust the level</p>	<p>Pls select peace floor, do not put on the soft floor and more than 2 degree</p>	<ul style="list-style-type: none"> <li>● Adjust the leg to make the machine steady</li> </ul> 

### 5.2.1、 installation

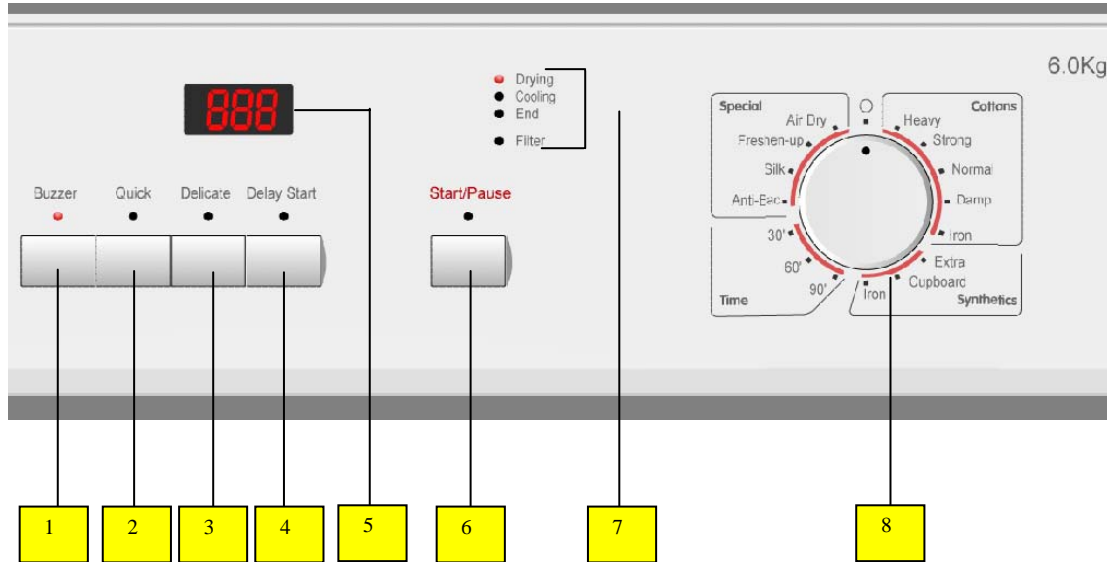
- any installation do not follow the instruction or trying to change the machine are danger.
- pls do not overload the machine on the plug.
- the electric installation should be finish by professional people.

### 5.2.2、 checking procedure

- ①put on the plug → ②select progr → ③press Start/pause →
- ④confirm running → ⑤turn off power →

## 6. Control panel description

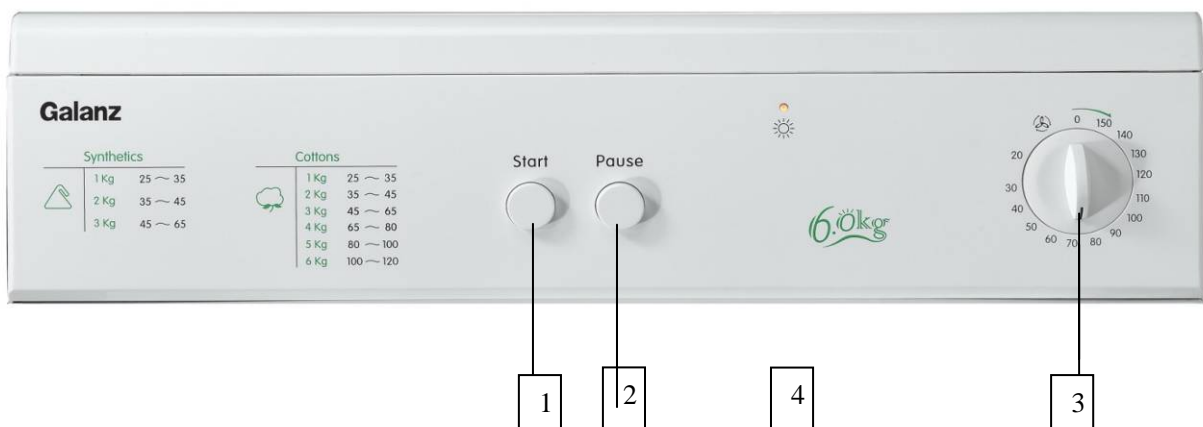
DV-60Q1E/DV-60Q1K/DV-60Q1S/DV-60Q3E/DV-60Q3K control panel



- 1 Buzzer
- 2 Quick
- 3 Delicate
- 4 Delay Start
- 5 Display(LED)
- 6 Start/Pause()

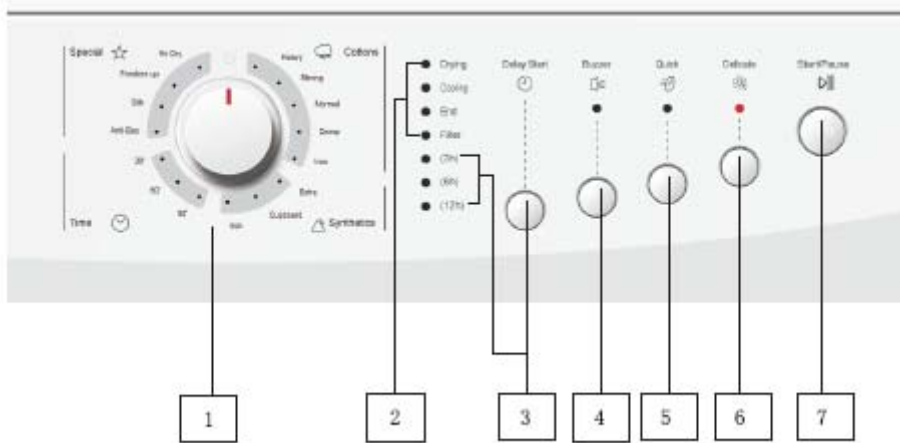
- 7 Indicator Lights
  - Drying
  - Cooling
  - End
  - Filter
- 8 Programme selector dia

DV-60Q2ME/DV-60Q2MK/DV-60Q2MS/DV-60Q3ME/DV-60Q3MK control panel



1. Start
2. Pause
3. Timer
4. Indicator Lights

### DV-60Q8E control panel



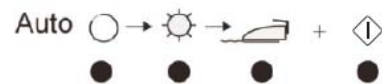
1. Program selector
2. Indicators
  - Drying
  - Cooling
  - End
  - Filter
3. Delay start and indicators
4. Buzzer
5. Quick
6. Delicate
7. Start/Pause

### DV-60Q9E/DV-60Q9K/DV-60Q9S control panel



Program selector

Program sequence



Turn this knob to select drying program

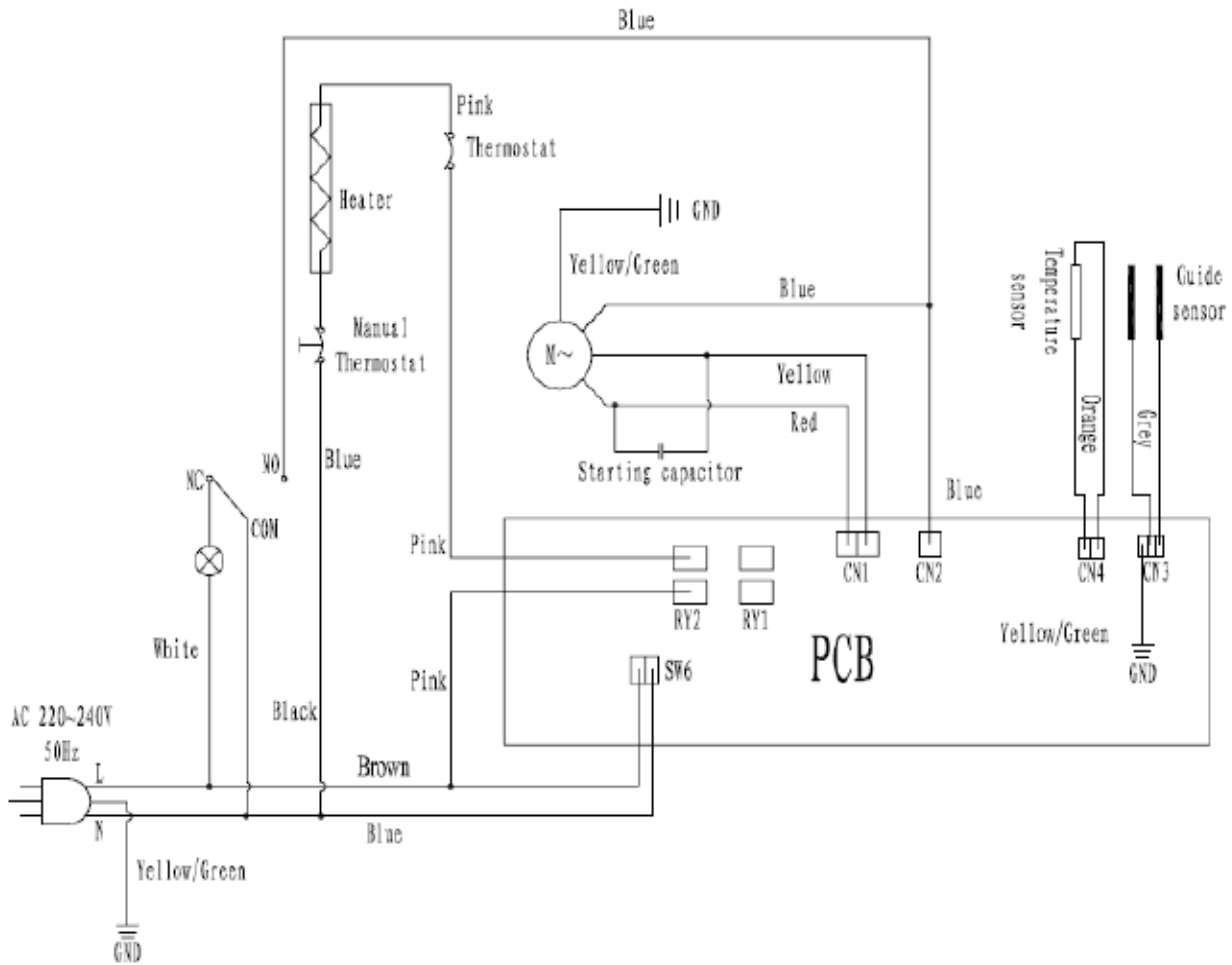


- 2. Sequence indicator Lights
  - Drying
  - Cooling
  - End
  - Filter

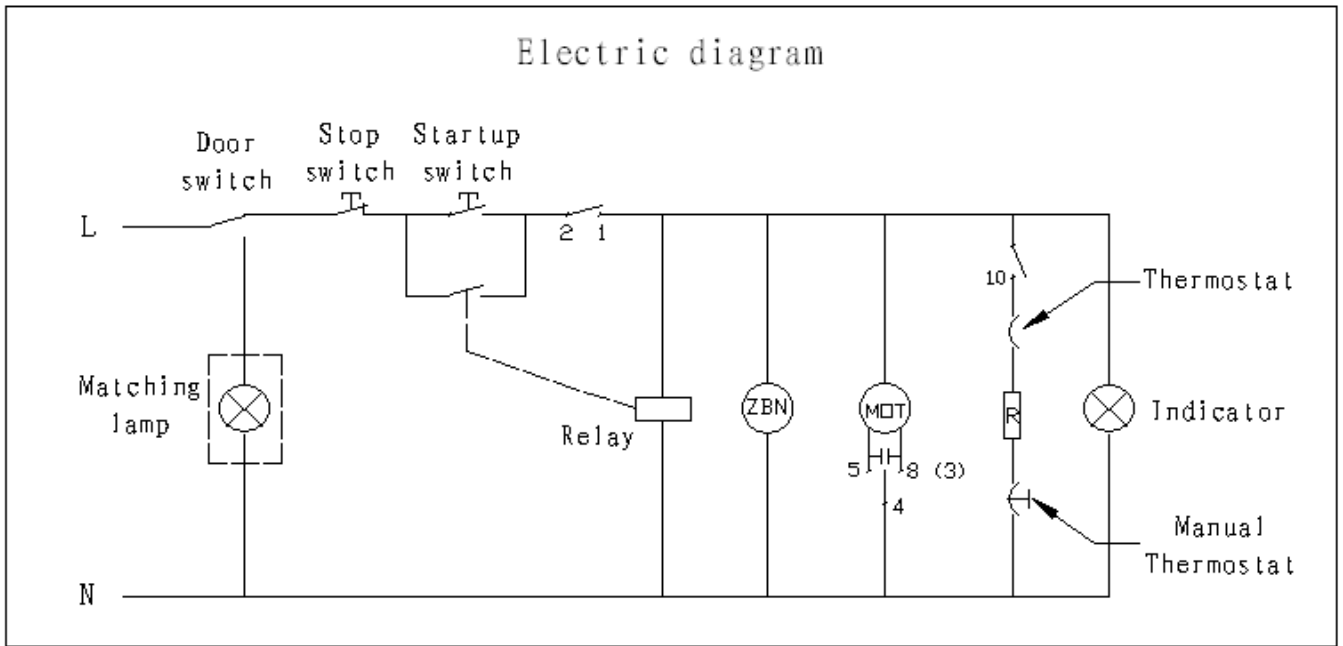
- 4. Delay Button and Lights
- 5. Delicate
- 6. Quick

**7. Schematic diagram**

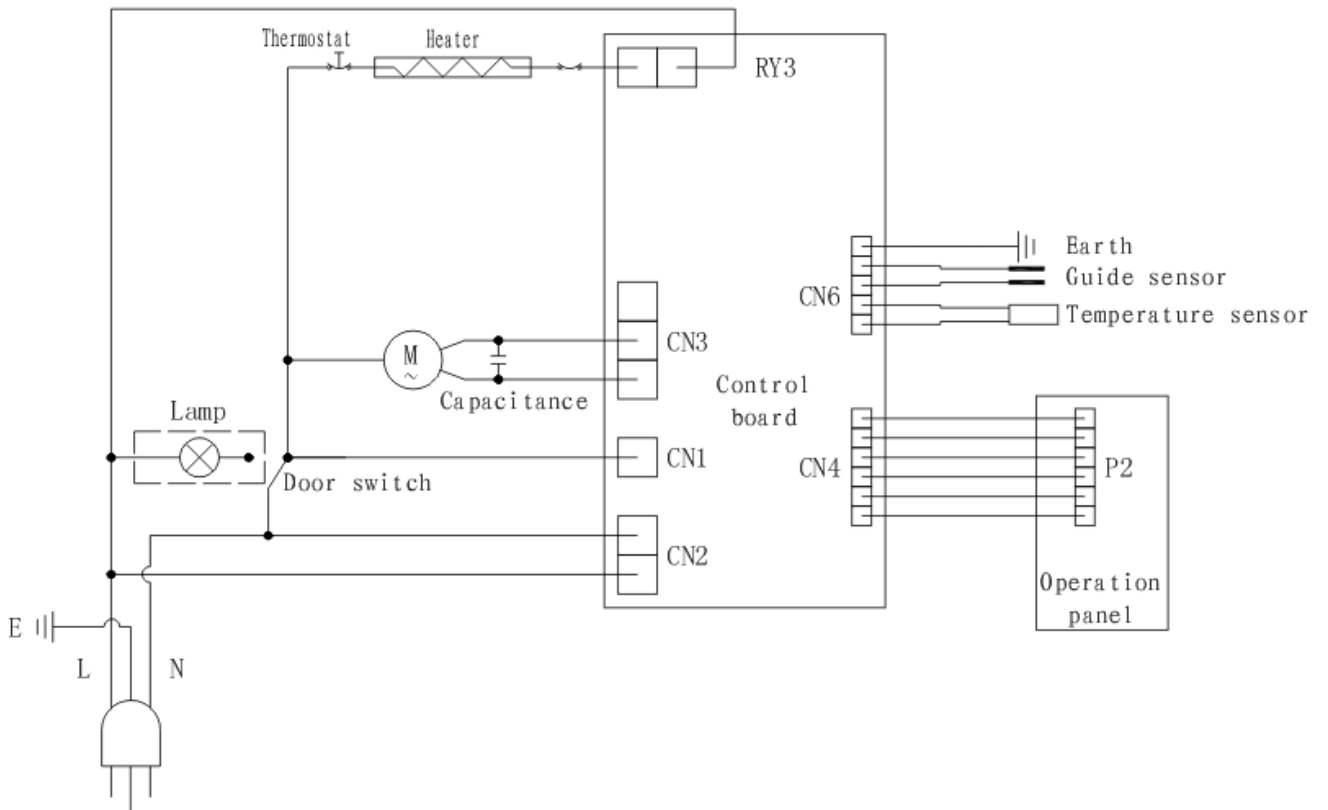
DV-60Q1E/DV-60Q1K/DV-60Q1S/,DV-60Q3E/DV-60Q3K/,DV-60Q8E/DV-60Q9E/DV-60Q9K  
Schematic diagram



DV-60Q2ME/DV-60Q2MK/DV-60Q2MS/,DV-60Q3ME/DV-60Q3MK/DV-60Q6ME/DV-60Q6MK  
Schematic diagram



DV-60Q5E/DV-60Q5S/DV-60Q5K Schematic diagram



## 8. Fault indication and diagnosis

8.1、 DV-60Q1E/DV-60Q1K/DV-60Q1S/DV-60Q2ME/DV-60Q2MK/DV-60Q2MS/  
 DV-60Q3E/DV-60Q3K/DV-60Q3ME/DV-60Q3MK/DV-60Q5E/DV-60Q5S/DV-60Q5K/  
 DV-60Q6ME/DV-60Q6MK/DV-60Q8E/DV-60Q9E/DV-60Q9K/ Fault Indication:

No.	Fault	Possible cause	Solution
1	Dryer dose not work.	<ul style="list-style-type: none"> <li>• Mains plug is not plugged in</li> <li>• Loading door is open</li> </ul>	<ul style="list-style-type: none"> <li>• Plug in at mains socket;</li> <li>• Close loading door</li> </ul>
2	Drying results unsatisfactory	<ul style="list-style-type: none"> <li>• Wrong program selected</li> <li>• Filter clogged</li> <li>• Incorrect volume of laundry</li> <li>• Sediment in the humidity sensor;</li> </ul>	<ul style="list-style-type: none"> <li>• Select a different program the next time you dryer.</li> <li>• Clean lint filter</li> <li>• Observe recommended loading volumes</li> <li>• Clean the humidity sensor surface</li> </ul>
3	Drum light does not work	<ul style="list-style-type: none"> <li>• Light bulb is defective</li> </ul>	<ul style="list-style-type: none"> <li>• Replace light bulb</li> </ul>
4	The drying cycle ends in a very short time after program started, "End" indicator is on.	The weight is not enough or the clothes is already dry enough for the selected program	<ul style="list-style-type: none"> <li>• Choose a program with higher drying level. For example: Choose Extra i/o Strong</li> </ul>
5	Drying cycle lasts an unusually long time.	Load volume is too big	Reduce load volume

Fault code	E1	E2	E3	E5	dOP	ErS
Fault	Temperature sensor problem	Heater does not work	Humidity sensor problem	Motor problem	Door is open	Choose wrong program

DV-60Q1E/DV-60Q1K/DV-60Q1S/DV-60Q2ME/DV-60Q2MK/DV-60Q2MS/  
 DV-60Q3E/DV-60Q3K/DV-60Q3ME/DV-60Q3MK/DV-60Q5E/DV-60Q5S/DV-60Q5K/  
 DV-60Q6ME/DV-60Q6MK/DV-60Q8E/DV-60Q9E/DV-60Q9K Abnormal operation diagnosis.

Fault	Tel. service	Solution
Without power	<ol style="list-style-type: none"> <li>1. The power supply is 220V-240V ?</li> <li>2. Whether the fuse blow out or short circuit of power supply?</li> </ol>	<ol style="list-style-type: none"> <li>1. Connected to the right power source</li> <li>2. Visit replace</li> </ol>
Motor	<ol style="list-style-type: none"> <li>1. Is the clothes overload the capacity?</li> <li>2. The power is whether normal (220-240VAC) ?</li> <li>3. All not.</li> </ol>	<ol style="list-style-type: none"> <li>1. Reduce clothes capacity</li> <li>2. Connected the normal voltage</li> <li>3. Visit replace</li> </ol>

Temperature sensor	1. Whether the temperature sensor is short-circuit ? 2. All not.	1. Reconnect 2. Visit replace
Heater	1. Heater is short-circuit? 2. All not.	1. Reconnect 2. Visit replace
Door lock	1. Door is opening. 2. All not.	1. Close the door 2. Visit replace

## 9. Fault diagnosis and repairing

9.1、Fault diagnosis and repairing, be careful of electric shock, unplug the power plug before servicing.

9.2、Firstly, check the wiring harness connection for each terminal.

9.3、If need to replace the control board, please correct arrange .

9.4、Please specific realize the fault before repair.

No power		
1	AC power is measured 220V-240V?	No connected to right power source
2	Measure voltage value of control board, is the AC voltage for 220V-240V?	No check wiring harness As
3	Replace control board As.	

Abnormal noise		
1	Micro- V belt bolts loose?	Yes Tighten bolts
2	Micro-V belt with wear ?	Yes replace micro-V belt
3	Is it a noise from	Yes replace motor
No heating		
1	Is there any problem from temperature sensor?	Yes replace temperature sensor
2	Off the power, measuring heat pipe at both ends of resistance is between 20-30?	Yes Normal
3	Replace the heater.	

Door lock fault		
1	Is the door closed when start, any E02 or E2 signal?	No close the door
2	Change the door lock	

Motor fault		
1	Clothes capacity is over loaded when the machine is operating with the voltage 220-240V?	Yes reduce clothes
2	Motor connection cable is connected properly?	No Reconnect
3	Check whether the motor has burned out?	Yes replace motor
4	All not, replace control board .	

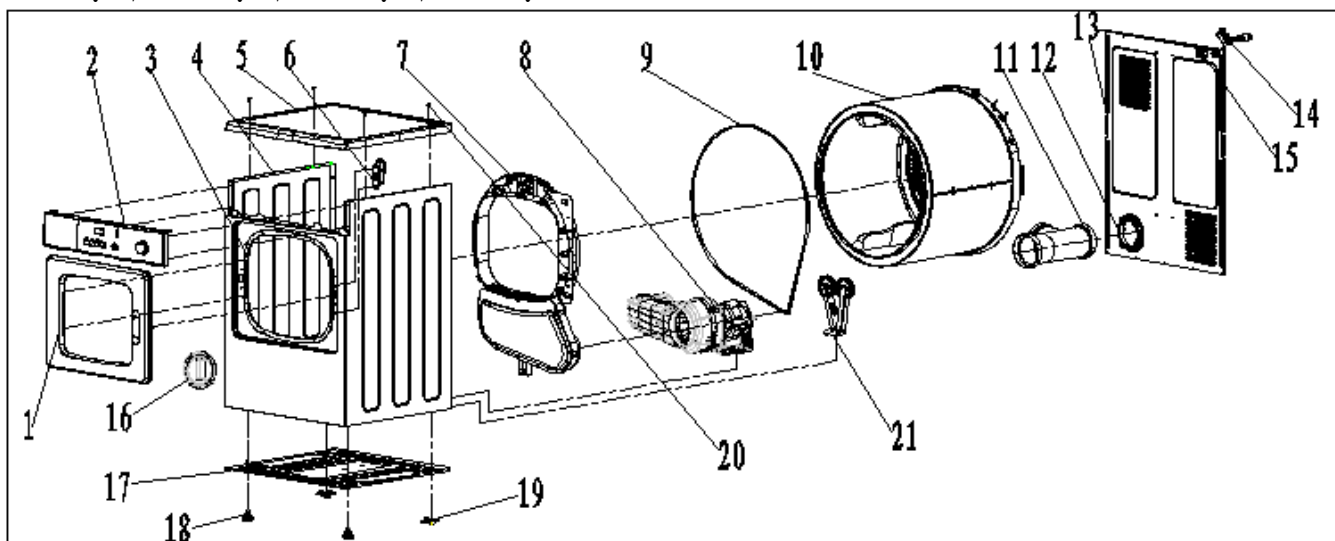
## 10. DV-60Q1E/DV-60Q1K/DV-60Q1S/DV-60Q2ME/DV-60Q2MK/DV-60Q2MS/

DV-60Q3E/DV-60Q3K/DV-60Q3ME/DV-60Q3MK/DV-60Q5E/DV-60Q5S/DV-60Q5K/  
 DV-60Q6ME/DV-60Q6MK/DV-60Q8E/DV-60Q9E/DV-60Q9K **exploded view**

10.1、Machine As

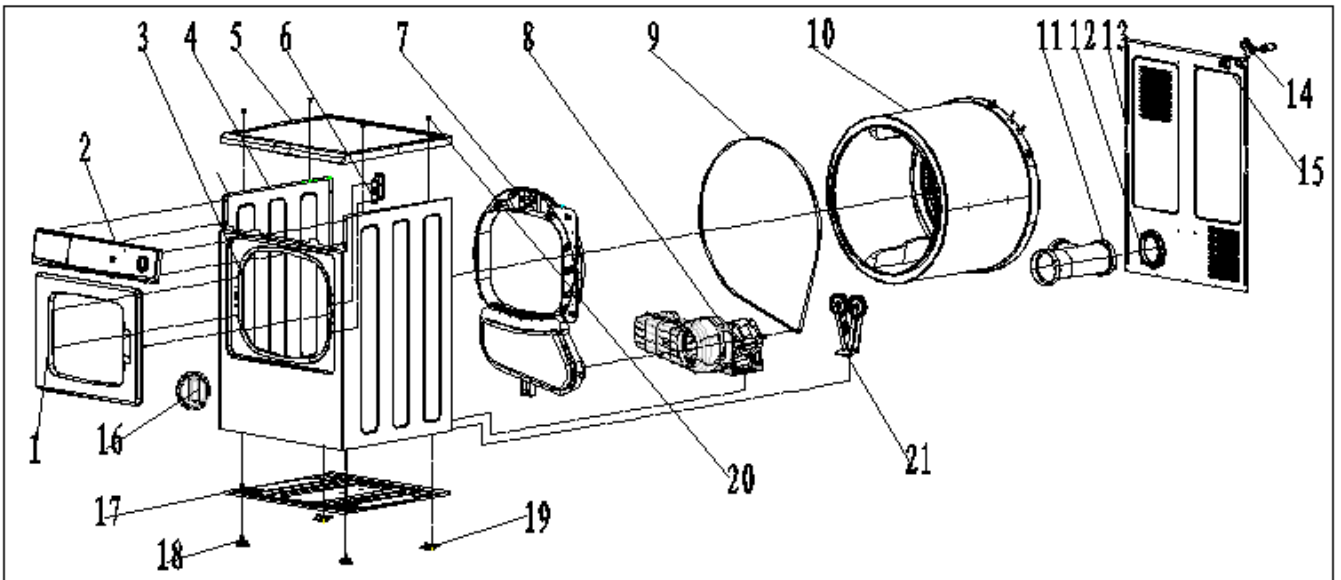
DV-60Q1E/DV-60Q1K/DV-60Q1S/DV-60Q3E/DV-60Q3K/DV-60Q5E/DV-60Q5S

DV-60Q5K/DV-60Q8E/DV-60Q9E/DV-60Q9K



No.	Part Code	Part name	Units	Material	Note
1	DV60Q1E.5	Door As	1		
2	DV60Q1E.3/DV60Q5E.3 DV60Q8E.3/DV60Q9E.3	Control panel As	1		
3	DV60Q1E.1-4	Door Gasket	1	EPDM	
4	DV60Q1E.1-1	Cabinet	1	SPCC	
5	DV60Q1E.2	Top cover As	1		
6	DV60Q1E.1.2	Door lock As	1		
7	DV60Q1E.1.3	Drum Supporter As	1		
8	DV60Q1E.1.4	Motor As	1		
9	DV60Q1E.1-7	Micro-V Belt	1	Poly belt	
10	DV60Q1E.7	Drum As	1		
11	DV60Q1E.1-5	Vent Pipe	1	PP	
12	DV60Q1E.1.6-1	Vent Pipe Cuff	1	ABS	
13	DV60Q1E.1.6-2	Back Cover	1	SGCC	
14	XDQ05-04	Power Cord	1		
15	DQ12-08	Terminal board	1		
16	DV60Q1E.1-6	Vent Pipe cover	1	ABS	
17	DV60Q1E.1-2	Under Base	1	SGCC	
18	DV60Q1E.1.1	Adjustable Leg	2		
19	DV-60Q1E.1-3	Leg	2	PP	
20	DV60Q1E.2-4	Screw Cap	4	ABS	
21	DV60Q1E.1.5	Idler As	1		

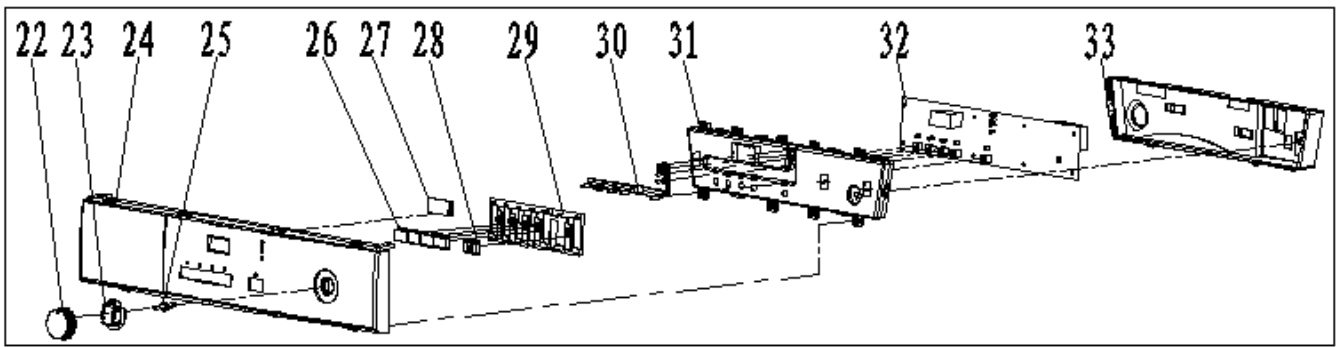
DV-60Q2ME/DV-60Q2MK/DV-60Q2MS/DV-60Q3ME/DV-60Q3MK/DV-60Q6ME/DV-60Q6MK



No.	Part Code	Part name	Units	Material	Note
1	DV60Q1E.5	Door As	1		
2	DV60Q2ME.3/DV60Q6ME.3	Control panel As	1		
3	DV60Q1E.1-4	Door Gasket	1	EPDM	
4	DV60Q1E.1-1	Cabinet	1	SPCC	
5	DV60Q2E.2	Top cover As	1		
6	DV60Q1E.1.2	Door lock As	1		
7	DV60Q2E.1.1	Drum Supporter As	1		
8	DV60Q1E.1.4	Motor As	1		
9	DV60Q1E.1-7	Micro-V Belt	1	Poly belt	
10	DV60Q1E.7	Drum As	1		
11	DV60Q1E.1-5	Vent Pipe	1	PP	
12	DV60Q1E.1.6-1	Vent Pipe Cuff	1	ABS	
13	DV60Q1E.1.6-2	Back Cover	1	SGCC	
14	XDQ05-04	Power Cord	1		
15	DQ12-08	Terminal board	1		
16	DV60Q1E.1-6	Vent Pipe cover	1	ABS	
17	DV60Q1E.1-2	Under Base	1	SGCC	
18	DV60Q1E.1.1	Leg Fixture	2		
19	DV-60Q1E.1-3	Leg	2	PP	
20	DV60Q1E.2-4	Screw Cap	4	ABS	
21	DV60Q1E.1.5	Idler As	1		

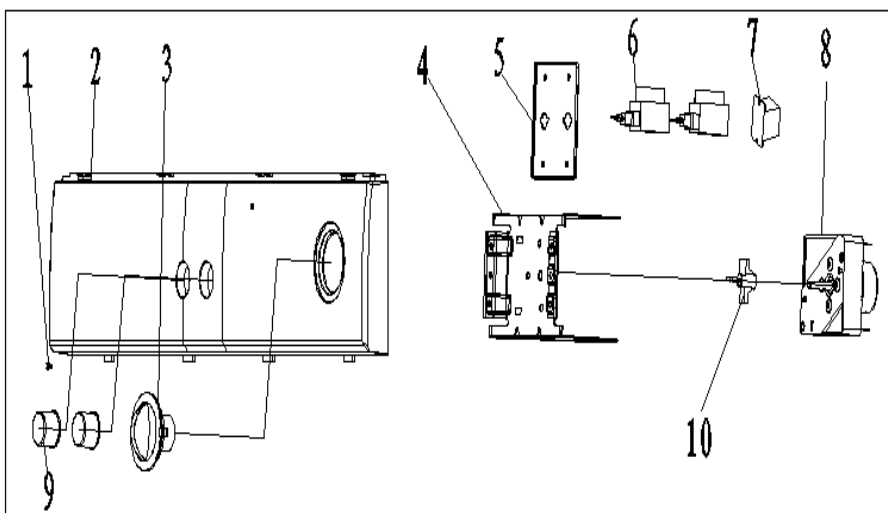
## 10.2、 Control Panel As

DV-60Q1E/DV-60Q1K/DV-60Q1S/DV-60Q3E /DV-60Q3K



No.	Part Code	Part name	Units	Material	Note
22	DV60Q1E.3.1-1	Switch Button	1	ABS	
23	DV60Q1E.3.1-2	Knob Bracket	1	ABS	
24	DV60Q1E.3-1	Control Panel	1	ABS	
25	DV60Q1E.3.1-3	Knob Shaft	1	POM	
26	DV60Q1E.3-3	Select Button	4	ABS	
27	DV60Q1E.3-5	Display Window	1	PC	
28	DV60Q1E.3-4	Power Button	1	ABS	
29	DV60Q1E.3-2	Button Bracket	1	POM	
30	DV60Q1E.3-6	LED Display	1	PC	
31	DV60Q1E.3.2-1	PCB Case	1	ABS	
32	DV60Q1E.8.2(144)/ DV60Q1S.8.3(074)	PCB AS	1		
33	DV60Q1E.3.2-2	PCB Cover	1	ABS	

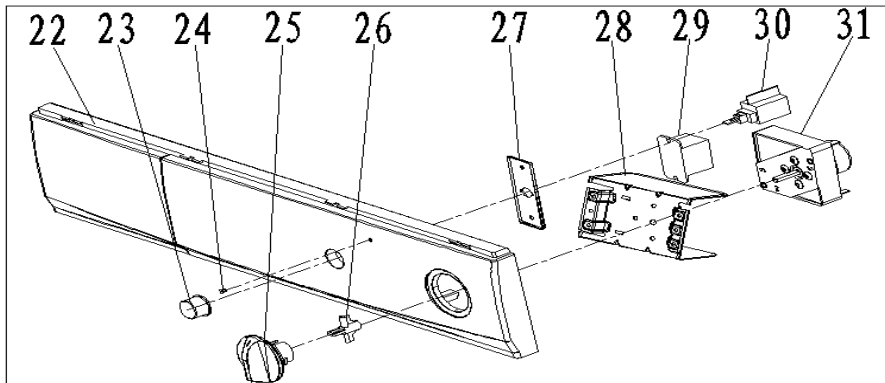
DV-60Q2ME/DV-60Q2MK/DV-60Q2MS/, DV-60Q3ME /DV-60Q3MK/DV-60Q3MS



No.	Part Code	Part name	Units	Material	Note
1	DV60Q2ME.3-4	LED Display	1	PC	
2	DV60Q2ME.3-1	Control panel	1	ABS	

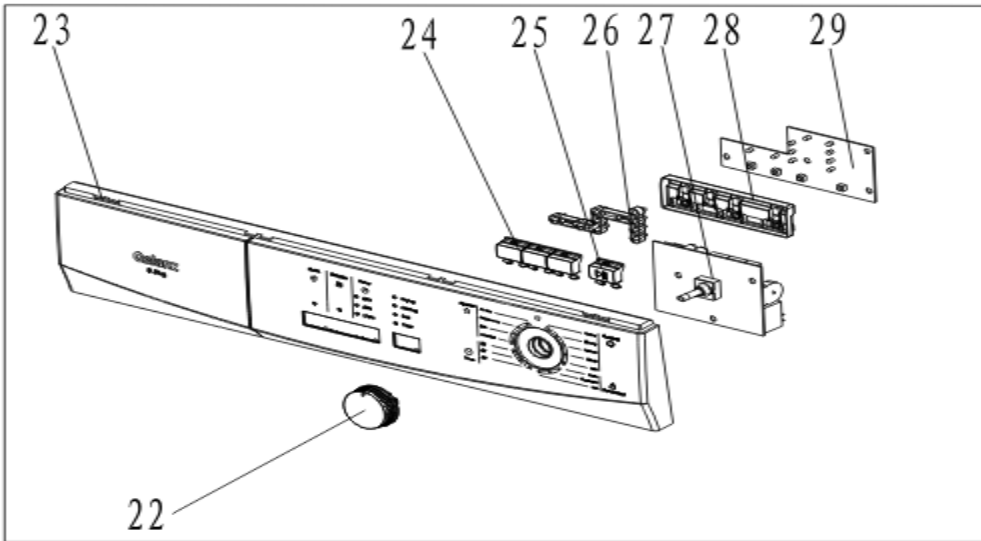
3	DV60Q2ME.3-2	Knob	1	ABS	
4	DV60Q2ME.3-8	Timer Bracket	1	SGCC	
5	DV60Q2ME.3-6	Switch Bracket	1	SGCC	
6	XDQ09-02	Push Switch	1	AC250V16A	
7	XDQ13-03	Relay	1		
8	XDQ14-04/XDQ14-05 XDQ14-06	Timer			
9	DV60Q2ME.3-7	Switch Button	2	ABS	
10	DV60Q2ME.3-3	Knob Connector	2	POM	

DV-60Q6ME/DV-60Q6MK



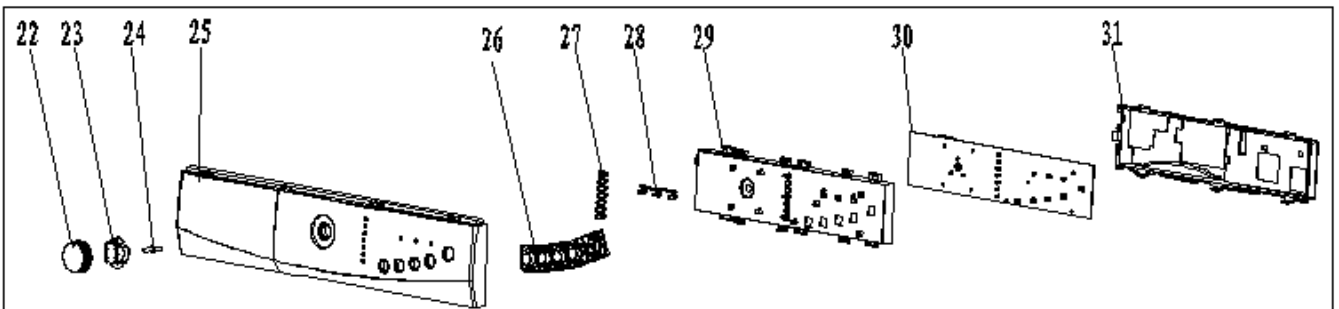
No.	Part Code	Part name	Units	Material	Note
22	DV60Q6ME.3-8	Control panel	1	ABS	
23	DV60Q2ME.3-7	Switch Button	1	ABS	
24	DV60Q2ME.3-4	LED Display	1	PC	
25	DV60Q2ME.3-2	Knob	1	ABS	
26	DV60Q2ME.3-3	Knob Connector	2	POM	
27	DV60Q6ME.3-5	Switch Bracket	1	SGCC	
28	DV60Q2ME.3-8	Timer Bracket	1	SGCC	
29	XDQ13-03	Relay	1		
30	XDQ09-02	Push Switch	1	AC250V16A	
31	XDQ14-04/XDQ14-05 XDQ14-06	Timer	1		

DV-60Q5E/DV-60Q5K/DV-60Q5S



No.	Part Code	Part name	Units	Material	Note
22	DV60Q5E.3-6	Select Knob	1	ABS	
23	DV60Q5E.3-2	Control Panel	1	ABS	
24	DV60Q5E.3-4	Select Button	1	POM	
25	DV60Q5E.3-5	Power Button	3	ABS	
26	DV60Q5E.3-7	LED display	1	PC	
27	DV60Q5E.8-4(246)	Main circuit board	1		
28	DV60Q5E.3-3	Button Bracket	1	POM	
29	DV60Q5E.8-3(246)	Operating circuit board	1		

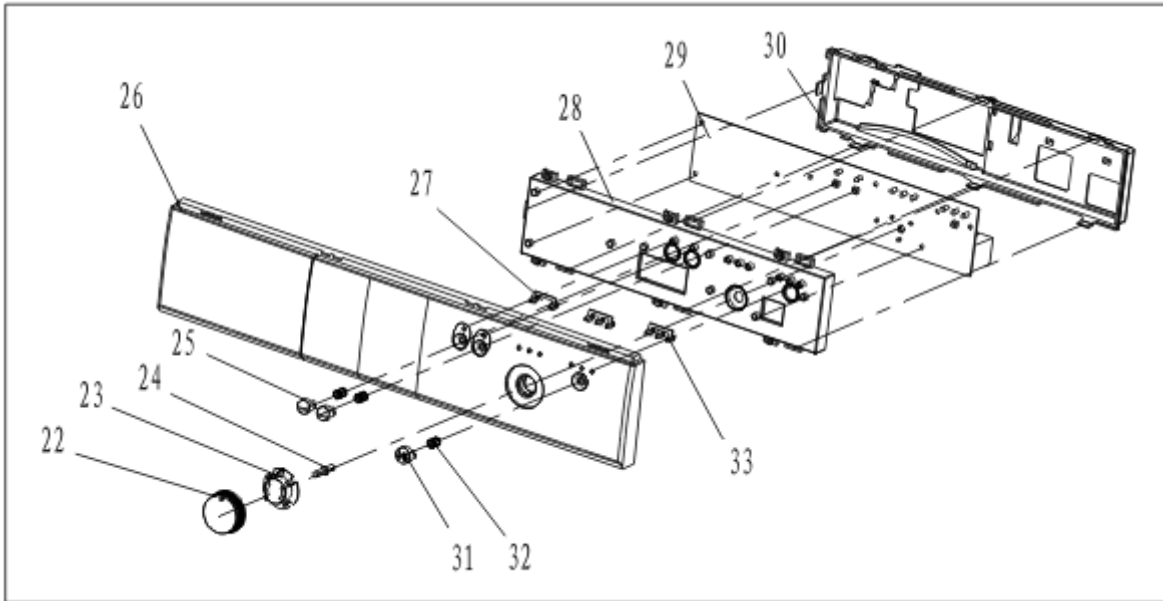
DV-60Q8E



No.	Part Code	Part name	Units	Material	Note
22	DV60Q1E.3.1-1	Switch Button	1		
23	DV60Q1E.3.1-2	Knob Bracket	1	ABS	
24	DV60Q8E.3.7	Knob Shaft	1	POM	
25	DV60Q8E.3-1	Control Panel	1	ABS	
26	DV60Q8E.3-2	Button	1	ABS	
27	DV60Q8E.3-6	Lamp Bracket1	1	ABS	
28	DV60Q8E.3-5	Lamp Bracket	1	ABS	
29	DV60Q8E.3-3	PCB Case	1	ABS	
30	DV60Q8E.8-2	PCBAS	1		

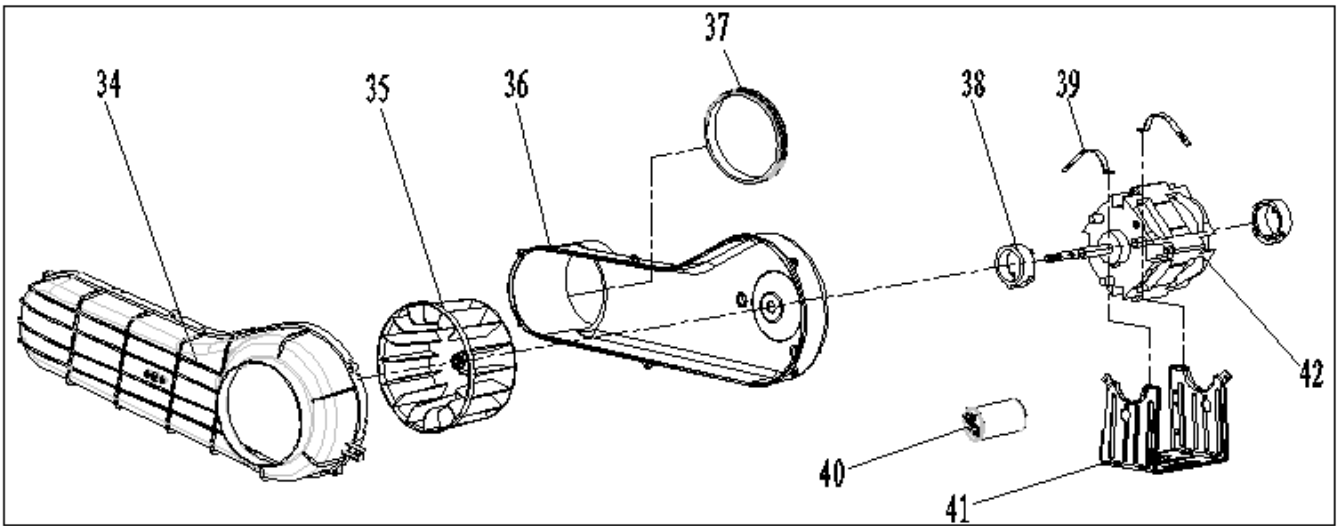
31	DV60Q8E.3-4	PCB Cover	1	ABS	
----	-------------	-----------	---	-----	--

DV-60Q9E/DV-60Q9K



No.	Part Code	Part name	Units	Material	Note
22	DV60Q1E.3.1-1	Switch Button	1		
23	DV60Q1E.3.1-2	Knob Bracket	1	ABS	
24	DV60Q8E.3-7	Knob Shaft	1	POM	
25	DV60Q9E.3-3	Option Button	2	ABS	
26	DV60Q9E.3-1	Control Panel	1	ABS	
27	DV60Q9E.3-5	Lamp Bracket 1	1	PC	
28	DV60Q9E.3-4	PCB Case	1	ABS	
29	DV60Q9E.8.2	PCBAS	1		
30	DV60Q8E.3-4	PCB Cover	1	ABS	
31	DV60Q9E.3-2	Select Button	1	ABS	
32	DV60Q9E.3-8	Button Spring	3	65Mn	
33	DV60Q9E.3-6	Lamp Bracket 2	2	PC	

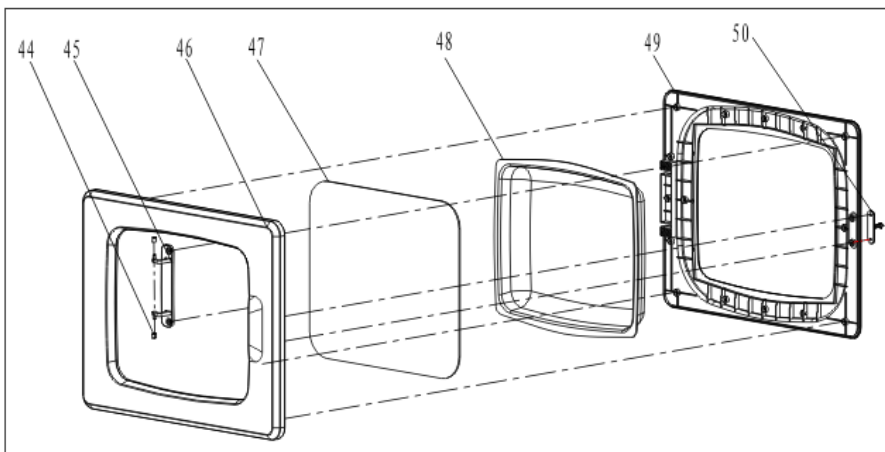
10.3 Motor assy DV-60Q1E/DV-60Q1K/DV-60Q1S/DV-60Q2ME/DV-60Q2MK/DV-60Q2MS/  
 DV-60Q3E/DV-60Q3K/DV-60Q3ME/DV-60Q3MK/DV-60Q5E/DV-60Q5S/DV-60Q5K/DV-60Q6ME/  
 DV-60Q6MKDV-60Q8E/DV-60Q9E/DV-60Q9K



Seri	code	name	q T	material	
34	DV60Q1E.1.4-5	Front Fan Cover	1	PP	
35	DV60Q1E.1.4.1	Fan As	1		
36	DV60Q1E.1.4-6	Rear Fan Cover	1	PP	
37	DV60Q1E.1.4-8	Venting gasket	1	EPDM	
38	DV60Q1E.1.4-2	Motor Cushion	2	NBR	
39	DV60Q1E.1.4-3	Motor Fixture	2	SGCC	
40	XDQ11-08/XDQ11-09 XDQ11-07(074)	Capacitance	1		
41	DV60Q1E.1.4-1	Motor Bracket	1	SGCC	
42	XDQ04-23/ XDQ04-24 XDQ04-25	Motor	1		

#### 10.4 Door As (Transparent Door)

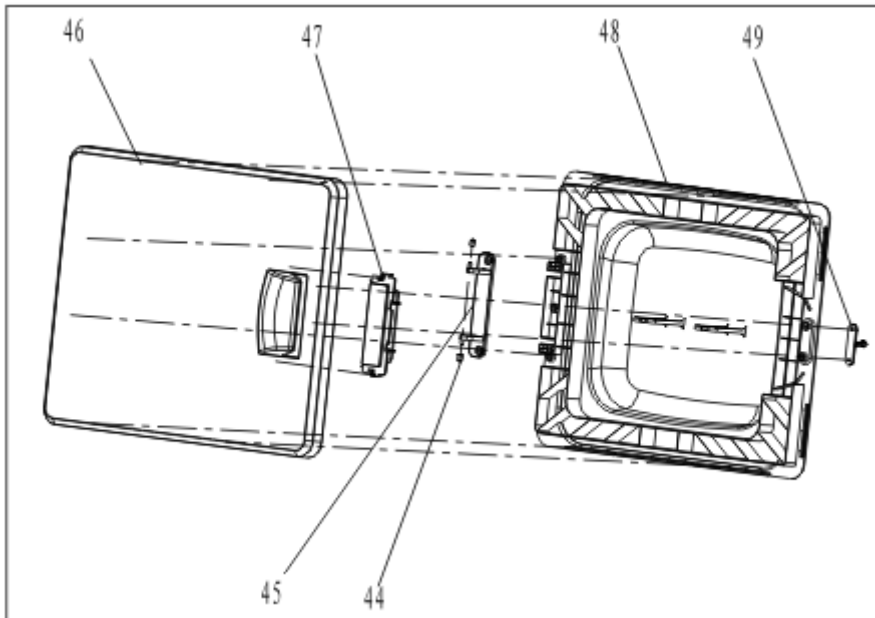
DV-60Q1E/DV-60Q1K/DV-60Q1S/DV-60Q2ME/DV-60Q2MK/DV-60Q2MS/DV-60Q3E/DV-60Q3K/  
DV-60Q3ME/DV-60Q3MK/DV-60Q5E/DV-60Q5S/DV-60Q5K/DV-60Q6ME/DV-60Q6MKDV-60Q8E/  
DV-60Q9E/DV-60Q9K



Ser	Code	name	QT	material	
44	DV60Q1E.5-6	Door Hinge Cap	2	POM	
45	DV60Q1E.5-5	Door Hinge	1	Zn-Al Alloy	

46	DV60Q1E.5-1	Door Outer Frame	1	ABS	
47	DV60Q1E.5-3	Door Outer Window	1	Reinforced	
48	DV60Q1E.5-4	Door Innr Window	1	PC	
49	DV60Q1E.5-2	Door Inner Frame	1	PP	
50	DV60Q1E.5-7	Door Hook	1	POM	

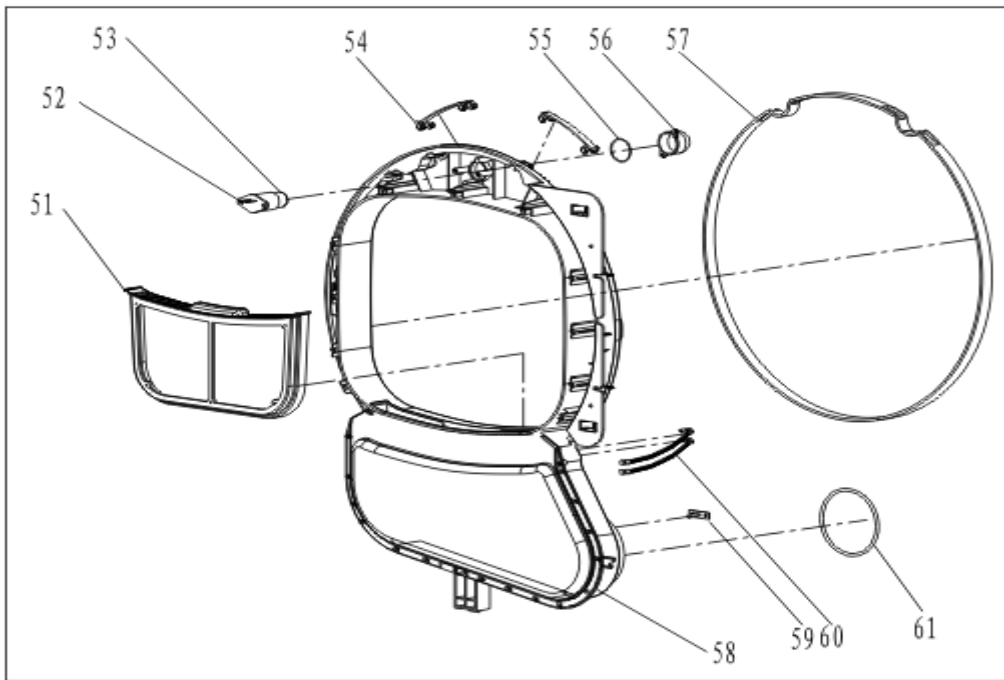
### Solid Door



NO.	Code	Name	QT	material	Note
44	DV60Q1E.5-6	Door Hinge Cap	2	POM	
45	DV60Q1E.5-5	Door Hinge	1	Zn-Al Alloy	
46	DV60Q3E.5-1(052)	Door Outer Frame	1	ABS	
47	DV60Q3E.5-3(052)	门拉手	1	ABS	
48	DV60Q1E.5-2	Door Outer Frame	1	PP	
49	DV60Q1E.5-7	Door Hook	1	POM	

### 10.5 Door Assy

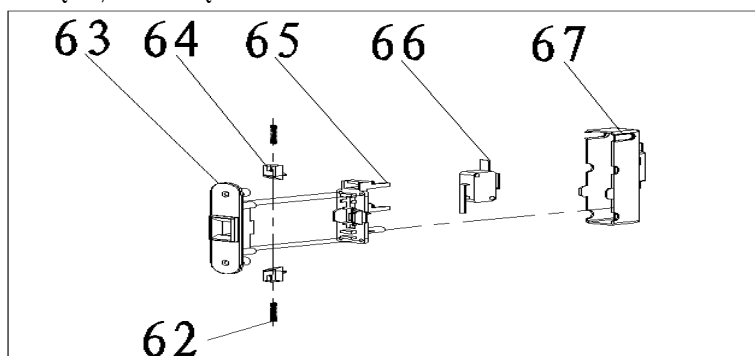
DV-60Q1E/DV-60Q1K/DV-60Q1S/DV-60Q2ME/DV-60Q2MK/DV-60Q2MS/DV-60Q3E/DV-60Q3K/  
DV-60Q3ME/DV-60Q3MK/DV-60Q5E/DV-60Q5S/DV-60Q5K/DV-60Q6ME/DV-60Q6MK/DV-60Q8E/  
DV-60Q9E/DV-60Q9K



Ser	code	name	Q T	material	
51	DV60Q1E.1.3.1	Filter AS	1		
52	DV60Q1E.8-1	Lamp Socket	1		
53	DV60Q1E.8-4	Lamp	1		
54	DV60Q1E.1.3-3	Drum Guide Plate	1	POM	
55	DV60Q1E.1.3-4	Lamp Gasket	1	EPDM	
56	DV60Q1E.1.3-5	Lamp Cap	1	PC	
57	DV60Q1E.1.3-2	Felt	1	Felt	
58	DV60Q1E.1.3-1	Drum Supporter	1	PP	
59	XDQ07-01	ThermistorR45°C	1		
60	DV60Q1E.1.3-7	Moisture Sensor	2	SUS430	
61	DV60Q1E.1.4-8	Drum Supporter Gasket	1	EPDM	

## 10.6 Door lock assy

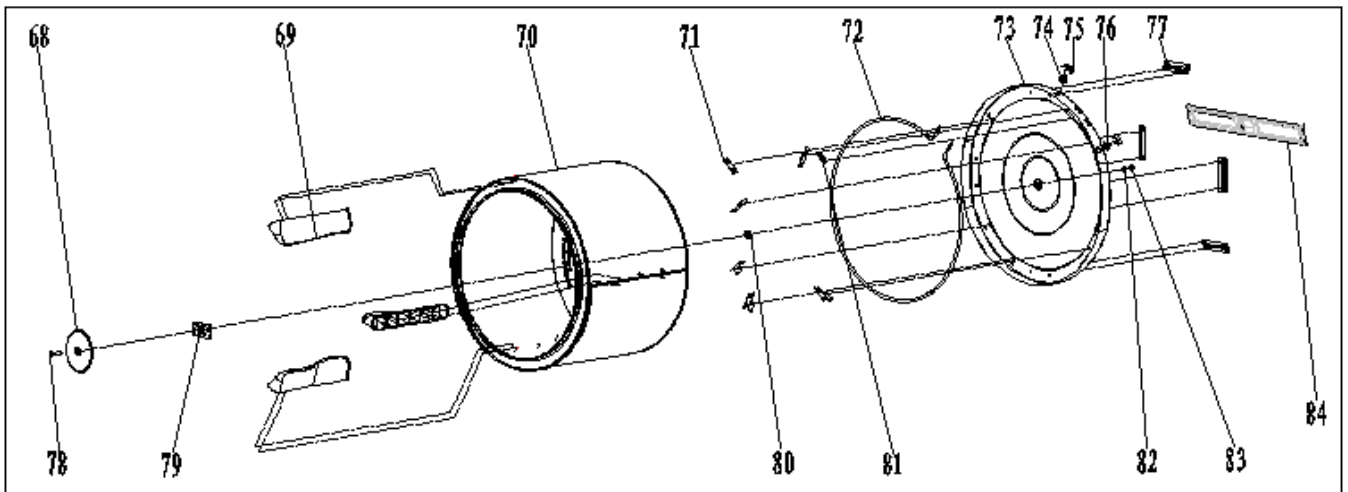
DV-60Q1E/DV-60Q1K/DV-60Q1S/DV-60Q2ME/DV-60Q2MK/DV-60Q2MS/DV-60Q3E/DV-60Q3K/  
 DV-60Q3ME/DV-60Q3MK/DV-60Q5E/DV-60Q5S/DV-60Q5K/DV-60Q6ME/DV-60Q6MK  
 DV-60Q8E/DV-60Q9E/DV-60Q9K



No.	Code	Name	QT	material	
62	DV60Q1E.1.2-5	Hook Holder Spring	2	SUS304	
63	DV60Q1E.1.2-1	Door Lock Body	1	PBT	
64	DV60Q1E.1.2-3	Hook Holder	2	POM	
65	DV60Q1E.1.2-2	Door Lock Cover	1	PBT	
66	XDQ09-01	Micro SwitchKW3A	1		
67	DV60Q1E.1.2-4	Micro Switch Cover	1	ZABS	

### 10.7 Drum assy

DV-60Q1E/DV-60Q1K/DV-60Q1S/DV-60Q2ME/DV-60Q2MK/DV-60Q2MS/DV-60Q3E/DV-60Q3K/  
DV-60Q3ME/DV-60Q3MK/DV-60Q5E/DV-60Q5S/DV-60Q5K/DV-60Q6ME/DV-60Q6MK  
DV-60Q8E/DV-60Q9E/DV-60Q9K



No.	Code	Name	QT	Material	Note
68	DV60Q1E.7.3-1	Inside small cover	1	SUS304	
69	DV60Q1E.7.1-1	Lifter	3	PP	
70	DV60Q1E.7.1.1	Inside bucket rivet joint module	1		
71	DV60Q1E.7.4-4	Heater Fixture B	6	SGCC	
72	DV60Q1E.8-3	Heater	1		
73	DV60Q1E.7.4-1	Heater Plate	1	SGCC	
74	XDQ06-04(072)	Thermostat 85°C	1		
75	DV60Q1E.7.4-5	Thermostat Fixture	2	SGCC	
76	XDQ06-05	Thermostat 150°C	1		
77	DV60Q1E.7.4-2	Drum as fixture	4	SGCC	
78	DV60Q1E.7-2	Drum Shaft	1	SUS304	
79	DV60Q1E.7.2	Inside bucket bearings model	1		
80	DV60Q1E.7-1	Bearing Supporter B	1	Q235-A	
81	DV60Q1E.1.5-3	Spring	1	65Mn	
82	GB/T93-87	Spring Washer $\phi$ 8	1	GB	
83	GB/T41-2000	Nut	1	GB	
84	DV60Q1E.7.4-6	Have fever the dish strengthens plank	1	SGCC	